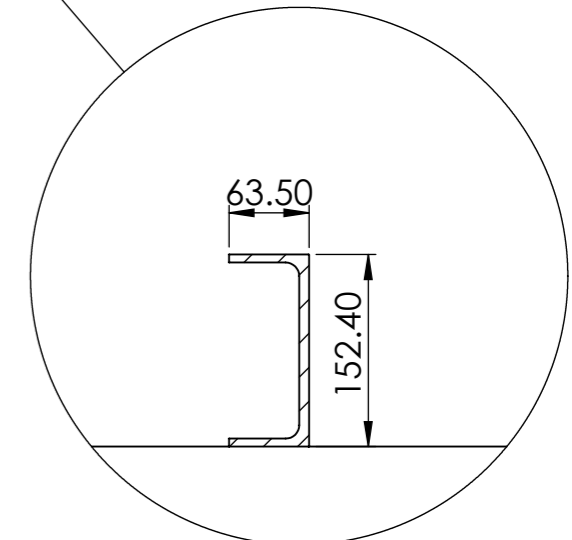
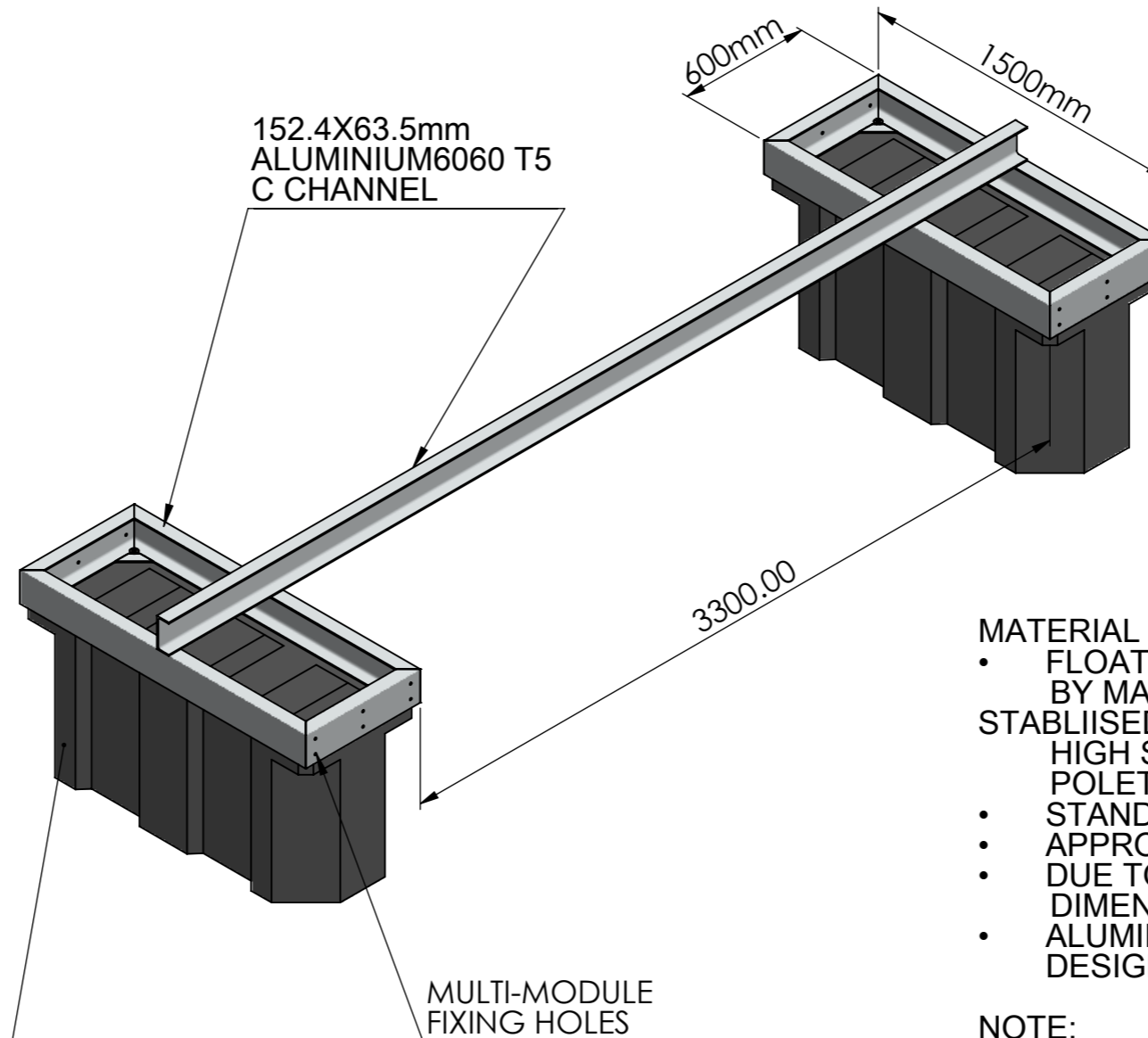


SECTION A-A



DETAIL B
SCALE 1 : 6

FLOAT MODULES 550L DRAWING NO. A4-1052
SUPPLIED BY MARINE DOCK SYSTEMS
MOULDED BY DYNAPLAS PTY LTD
www.marinedocksystems.com.au

MATERIAL

- FLOATION MODULES ARE MANUFACTURED BY MARINE DOCK SYSTEMS FROM U.V STABILISED, HIGH STRESS CRACK RESISTANT, LINEAR POLETHYLENE.
- STANDARD COLOUR- BLACK
- APPROX. WEIGHT - 30KG
- DUE TO MANUFACTURING PROCESS, FLOAT DIMENSIONS MAY VARY
- ALUMINIUM 6060 T5 OR EQUIVALENT FRAME DESIGN

NOTE:

PICTURED IS A SINGLE MODULAR SYSTEM THAT CAN BE BOLTED TOGETHER TO ACHIEVE DESIRED RUN OF OYSTER LEASES.

FOR ADDITIONAL TECHNICAL INFO CONSULT
MARINE DOCK SYSTEMS (02) 9627557